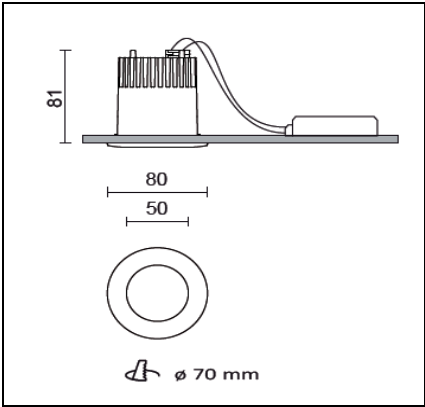


R9LED



Our Pro Architectural range of LED downlights have been specifically designed for optimum performance and high efficiency.

This robust recessed downlight features a high output LED array light source with impressive heat dissipation, excellent optics and wide light distribution.

Together with their high output and low running costs this range of LED's are fully Part L and ECA compliant.

Materials Stainless steel body.
Polyester painted in white and silver. Other colours available.
Tempered sealed 4mm glass cover.
Aluminium coated high resistant reflector

Dimensions W: 80mm x D: 81mm
Weight: 0.5Kg

LED options 800lm/9.5w 2700k
800lm/9.5w 3000k
800lm/9.5w 4000k
800lm/9.5w 5000-6000k

IP Rating IP44
Beam angle 30° (20°/50° on request)
CRI RA>80
Supply 230/240v 50-60Hz - (Fixed output driver included)
Heat dissipation Passive

Part codes R927/--/-- 800LM/9.5w 2700k
R930/--/-- 800LM/9.5w 3000k
R940/--/-- 800LM/9.5w 4000k
R950/--/-- 800LM/9.5w 5000k
R960/--/-- 800LM/9.5w 6000k

R9--/M/-- Fixed output
R9--/MD/-- Mains dimming
R9--/D2/-- Dsi dimming
R9--/D3/-- Dali dimming

R9--/--/WH White bezel
R9--/--/SI Silver bezel
R9--/--/SP Special RAL finish

PerformanceLED
www.performanceled.co.uk
info@performanceled.co.uk

Technical LED solutions

