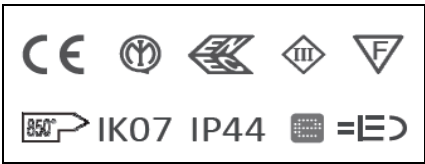
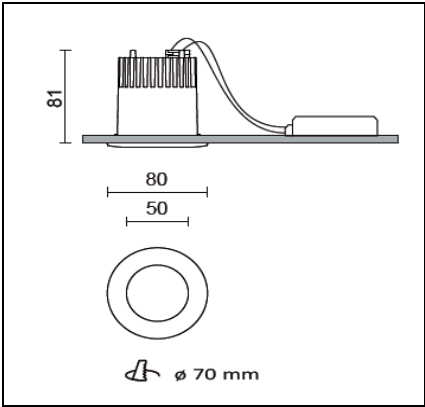


R7LED



Our Pro Architectural range of LED downlights have been specifically designed for optimum performance and high efficiency.

This robust recessed downlight features a high output LED array light source with impressive heat dissipation, excellent optics and wide light distribution.

Together with their high output and low running costs this range of LED's are fully Part L and ECA compliant.

Materials Cast Aluminium body.
Polyester painted in white and silver. Other colours available.
Clear polycarbonate closing screen.
Aluminium coated high resistant reflector

Dimensions W: 80mm x D: 81mm

Weight: 0.5Kg

LED options 550lm/7w 2700k
550lm/7w 3000k
550lm/7w 4000k
550lm/7w 5000-6000k

IP Rating IP44

Beam angle 30° (20°/50° on request)

CRI RA>80

Supply 230/240v 50-60Hz - (Fixed output driver included)

Heat dissipation Passive

Part codes R727/--/-- 550LM/7w 2700k
R730/--/-- 550LM/7w 3000k
R740/--/-- 550LM/7w 4000k
R750/--/-- 550LM/7w 5000k
R760/--/-- 550LM/7w 6000k

R7--/M/-- Fixed output
R7--/MD/-- Mains dimming
R7--/D2/-- Dsi dimming
R7--/D3/-- Dali dimming

R7--/--/WH White bezel
R7--/--/SI Silver bezel
R7--/--/SP Special RAL finish

