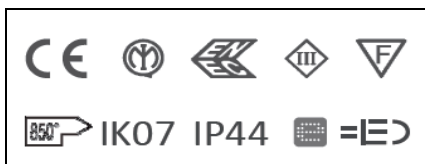
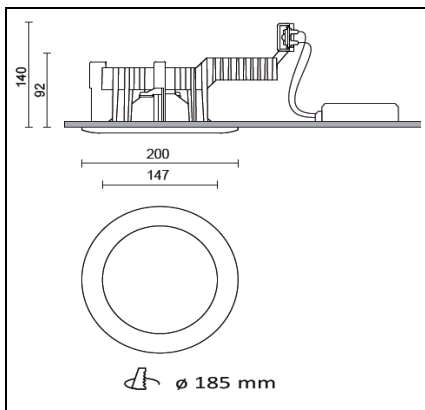


**R39LED**



Our Pro Architectural range of LED downlights have been specifically designed for optimum performance and high efficiency.

This robust recessed downlight features a high output LED array light source with impressive heat dissipation, excellent optics and wide light distribution.

Together with their high output and low running costs this range of LED's are fully Part L and ECA compliant.

**Materials** Stainless steel body.  
Polyester painted in white and silver. Other colours available.  
Tempered sealed 4mm glass cover.  
Aluminium coated high resistant reflector

**Dimensions** W: 200mm x D: 140mm

**Weight:** 1.8Kg

**LED options** 3000lm/39w 2700k  
3000lm/39w 3000k  
3000lm/39w 4000k  
3000lm/39w 5000-6000k

**IP Rating** IP44  
**Beam angle** 100°  
**CRI** RA>80  
**Supply** 230/240v 50-60Hz  
**Heat dissipation** Passive

**Part codes** R3927/--/-- 3000LM/39w 2700k  
R3930/--/-- 3000LM/39w 3000k  
R3940/--/-- 3000LM/39w 4000k  
R3950/--/-- 3000LM/39w 5000k  
R3960/--/-- 3000LM/39w 6000k

R39--/HF/-- High Frequency  
R39--/D1/-- 1-10v dimming  
R39--/D2/-- Dsi dimming  
R39--/D3/-- Dali dimming

R39--/--/WH White bezel  
R39--/--/SI Silver bezel  
R39--/--/SP Special RAL finish

PerformanceLED  
www.performanceled.co.uk  
info@performanceled.co.uk

Technical LED solutions

