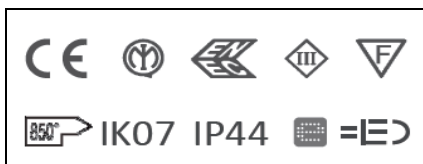
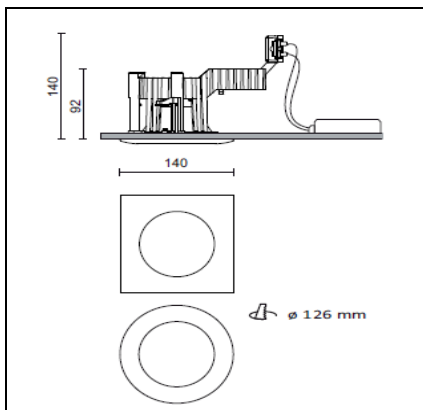


### R26LED



Our Pro Architectural range of LED downlights have been specifically designed for optimum performance and high efficiency.

This robust recessed downlight features a high output LED array light source with impressive heat dissipation, excellent optics and wide light distribution.

Together with their high output and low running costs this range of LED's are fully Part L and ECA compliant.

Materials	Stainless steel body. Polyester painted in white and silver. Other colours available. Tempered sealed 4mm glass cover. Aluminium coated high resistant reflector
Dimensions	W: 140mm x D: 140mm
Weight:	0.9Kg

LED options	2000lm/26w 2700k 2000lm/26w 3000k 2000lm/26w 4000k 2000lm/26w 5000-6000k
-------------	---

IP Rating	IP44
Beam angle	60°
CRI	RA>80
Supply	230/240v 50-60Hz
Heat dissipation	Passive

Part codes	R2627/--/--	2000LM/26w 2700k
	R2630/--/--	2000LM/26w 3000k
	R2640/--/--	2000LM/26w 4000k
	R2650/--/--	2000LM/26w 5000k
	R2660/--/--	2000LM/26w 6000k

R26--/HF/--	High Frequency
R26--/D1/--	1-10v dimming
R26--/D2/--	Dsi dimming
R26--/D3/--	Dali dimming

R26--/--/WH	White bezel
R26--/--/SI	Silver bezel
R26--/--/SP	Special RAL finish

PerformanceLED  
www.performanceled.co.uk  
info@performanceled.co.uk

Technical LED solutions

