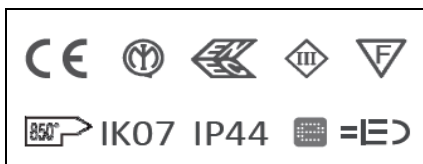
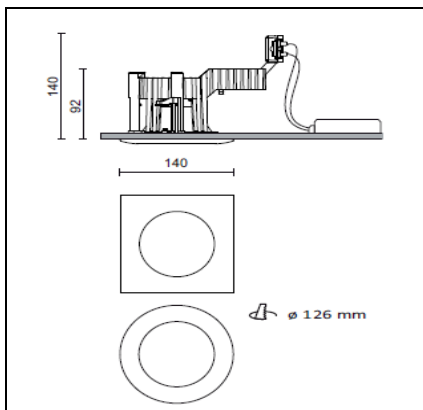


R12LED



Our Pro Architectural range of LED downlights have been specifically designed for optimum performance and high efficiency.

This robust recessed downlight features a high output LED array light source with impressive heat dissipation, excellent optics and wide light distribution.

Together with their high output and low running costs this range of LED's are fully Part L and ECA compliant.

Materials	Stainless steel body. Polyester painted in white and silver. Other colours available. Tempered sealed 4mm glass cover. Aluminium coated high resistant reflector
Dimensions	W: 140mm x D: 140mm
Weight:	0.9Kg

LED options	1200lm/12w 2700k 1200lm/12w 3000k 1200lm/12w 4000k 1200lm/12w 5000-6000k
-------------	---

IP Rating	IP44
Beam angle	60°
CRI	RA>80
Supply	230/240v 50-60Hz
Heat dissipation	Passive

Part codes	R1227/--/-- 1200LM/12w 2700k
	R1230/--/-- 1200LM/12w 3000k
	R1240/--/-- 1200LM/12w 4000k
	R1250/--/-- 1200LM/12w 5000k
	R1260/--/-- 1200LM/12w 6000k

R12--/HF/--	High Frequency
R12--/D1/--	1-10v dimming
R12--/D2/--	Dsi dimming
R12--/D3/--	Dali dimming

R12--/--/WH	White bezel
R12--/--/SI	Silver bezel
R12--/--/SP	Special RAL finish

PerformanceLED
www.performanceled.co.uk
info@performanceled.co.uk

Technical LED solutions

